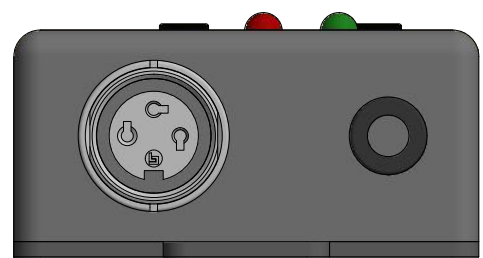


Z (links)

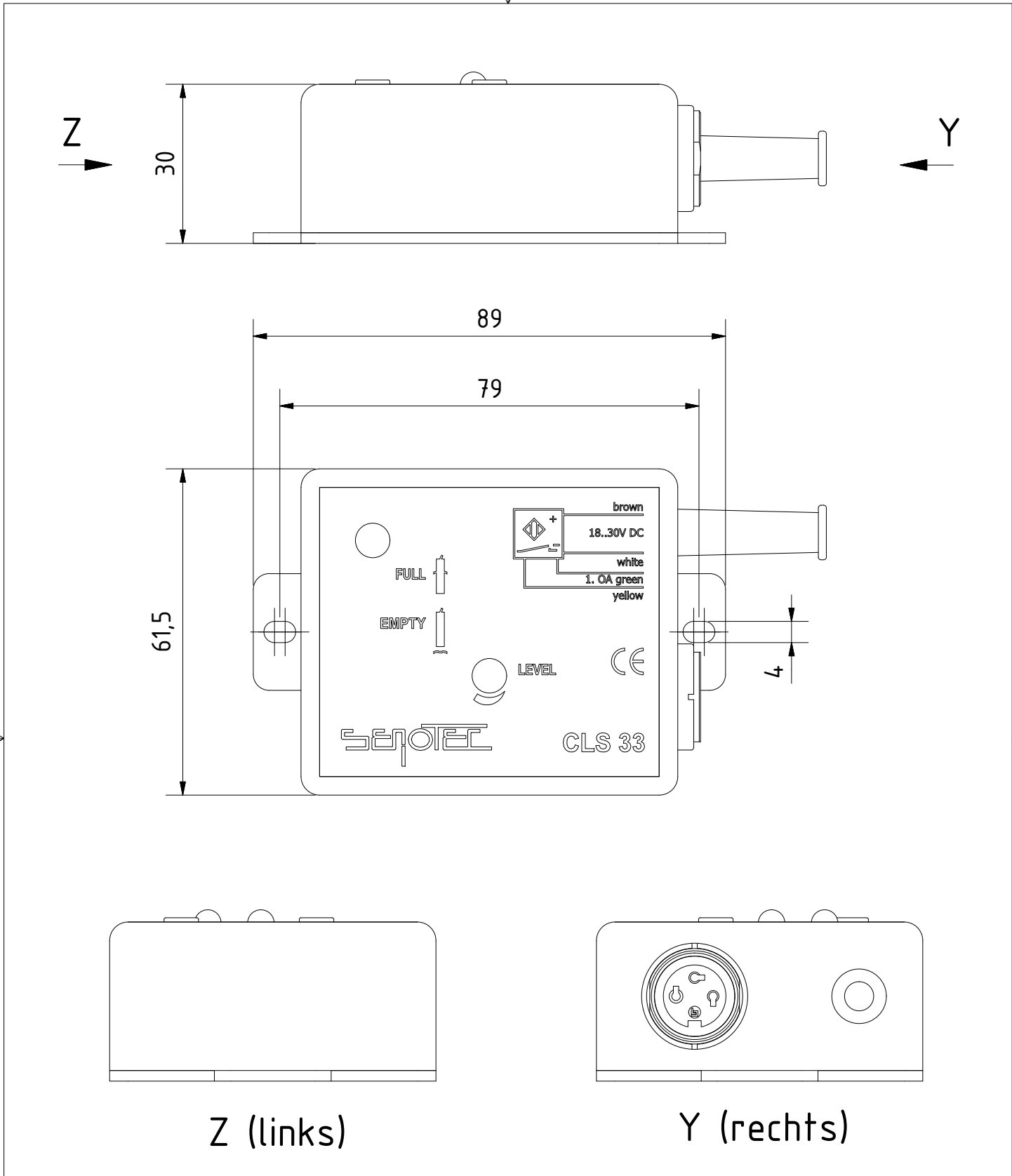


Y (rechts)

| | | | | | | | | |
|---------|------------|-------|------|--------------|------------|----------------------------|--|---------------|
| SenoTec | | | | M 1:1 | | | | |
| | | | | | | | | |
| | | | | Datum | Name | Schaltverstärker, komplett | | |
| | | | | Gezeichnet | 15.02.2018 | | | A. Birkendorf |
| | | | | Kontrolliert | | | | |
| | | | | Norm | | | | |
| | | | | | | 30 033 05 CLS33-L05 | | |
| | | | | | | 1 | | |
| | | | | | | A4 | | |
| Status | Änderungen | Datum | Name | | | | | |



| | | | | | | | | |
|---------|------------|-------|------|--------------|------------|----------------------------|--|---------------|
| SenoTec | | | | | | | | |
| | | | | | | | | |
| | | | | Datum | Name | Schaltverstärker, komplett | | |
| | | | | Gezeichnet | 15.02.2018 | | | A. Birkendorf |
| | | | | Kontrolliert | | | | |
| | | | | Norm | | | | |
| | | | | | | 30 033 05 CLS33-L05 | | |
| | | | | | | 2 | | |
| | | | | | | A4 | | |
| Status | Änderungen | Datum | Name | | | | | |



| | | | | | | | | |
|---------|------------|-------|------|--------------|------------|----------------------------|---------------------|---------------|
| SenoTec | | | | | | | | |
| | | | | | | | | |
| | | | | Datum | Name | Schaltverstärker, komplett | | |
| | | | | Gezeichnet | 15.02.2018 | | | A. Birkendorf |
| | | | | Kontrolliert | | | | |
| | | | | Norm | | | | |
| | | | | | | | 30 033 05 CLS33-L05 | 3 |
| | | | | | | | | A4 |
| Status | Änderungen | Datum | Name | | | | | |